

EDiA EX

FB25-35(C)N Series

ELECTRIC COUNTERBALANCE

2.5 – 3.5 tonnes

**CONTROL DRIVES CONFIDENCE...
CONFIDENCE DRIVES WORK**

Everything about EDiA EX inspires confidence. Rugged Mitsubishi Forklift Trucks build quality, simple, effective design... and the kind of smooth, instinctive control that gets the job done right first time, every time.

SPECIFICATIONS

FB25N
FB25CN
FB30N
FB30CN
FB35N

**WHEN
RELIABILITY IS
EVERYTHING...**



EDiA EX

FB25-35(C)N Series

ELECTRIC COUNTERBALANCE

2.5 – 3.5 tonnes



Impressive residual lift capacities means EDiA EX packs the punch you need to lift larger loads to heights of 7 metres – while dual drive motors and +100° rear axle steering give the agility to deliver that big-truck performance in the tightest space.

It can do it safely, too. From the one-spoke steering wheel to the cleverly angled counterweight, every aspect maximises the driver's all-round view of the job in hand. No expensive gimmicks, just great truck design. What's more, sealed wet disc brakes mean this truck can work anywhere, from hygienic, zero-emission environments – with integral brakes eliminating brake dust – to loading outside in the rain. But the best thing about EDiA EX is the drive.

From the moment you slide behind the wheel, everything just feels right. Drivers instantly feel at home – and perform at their best from day one.



OPERATOR COMPARTMENT AND CONTROLS

- **F2 button** simple thumb control integrates twice as many key controls – without taking your eyes off the load. Options include clamp release and automatic tilt centering.
- **Clear, informative display** in full colour, is easy to read from all angles and in direct sunlight. Perfectly positioned for at-a-glance reference to operator guidance, without reducing all-round visibility.
- **ErgoCentric adjustable armrest** allows a natural hand position, with easy one-hand adjustment, minimising injury and fatigue.
- **Fully adjustable driving position** create the perfect seat, arm and steering wheel position for each operator's unique needs.
- **Wide, open cabin** enables quick, ergonomic access and a range of comfortable driving positions.
- **Ergonomic panels and covers** encourage smooth, easy cabin entry.

- **Extra-large entry step** for safe, no-slip entry and exit – whatever the footwear.
- **Flat, uncluttered floor** exceptionally spacious foot well area means more comfort, and no distractions.
- **Elongated grab bar** helps drivers of all heights.

DRIVING AND LOAD HANDLING

- **Sensitive Drive System (SDS)** smooths start and stop movements, increases agility and adapts to the speed of operators' foot movements.
- **Intelligent curve control** senses the angle of a turn, and reduces speed earlier in the manoeuvre for maximum stability and accurate, positive cornering.
- **Touch-sensitive fingertip controls** natural feeling, spring-loaded response: press gently for finer control.



There is more information on EDiA EX on mitforklift.com

For more extensive information please visit our website mitforklift.com



mft2.eu/ediaex

EDiA EX

FB25-35(C)N Series

ELECTRIC COUNTERBALANCE

2.5 – 3.5 tonnes



STEERING

- **Tight space agility** rear axle steers through a full 100°, with dual drive motors for instant, smooth turning on the spot and no initial "push".
- **Perfectly weighted steering** and optimal steering wheel size with a light but firm feel gives confidence and manoeuvrability at all speeds.

DRIVE

- **ECO mode** encourages natural, smooth operation with optimal energy efficiency; ideal for long shifts, training, new and part-time users.
- **PRO mode** maximises performance parameters, giving full control to more experienced operators in intensive situations.

MAST AND FORK ASSEMBLY

- **Unparalleled 360° visibility** optimised mast, wheel, dashboard and counterweight design maximise visibility to load, forks, front and rear wheels – giving safe, confident operation in tight spaces.



BRAKES

- **Sealed, wet-disc brakes** are protected from the elements and virtually maintenance-free.
- **Automatic parking brake with hill hold** stops the truck automatically when the accelerator is not engaged, and prevents rolling on ramps – no remembering to use a handle or switch.

HYDRAULICS

- **Precision tilt and side shift** easy, fine control makes important and difficult movements faster, and safer.

ELECTRICAL AND CONTROL SYSTEMS

- **Straightforward component layout** carefully planned for fast, easy access, reducing downtime and cutting routine servicing bills.
- **Sealed connectors** reduce the need for maintenance and repair.



There is more information
on EDiA EX
on mitforklift.com

For more extensive information
please visit our website
mitforklift.com





EDIA EX OPTIONAL LI-ION BATTERY SYSTEMS

MAKE YOUR FORKLIFT GO EVEN FURTHER

Tried, tested and proven in the field, lead-acid batteries have been the long-standing top choice for companies employing electric lift trucks. However, with long charging times, demanding maintenance requirements, the need for extra batteries and high risk of operator misuse, it can be a challenge. Fortunately, there's a new battery system on the block: Li-ion from Mitsubishi Forklift Trucks.

Designed to meet your business' demands - including multi-shift (24/7) operations - without the need for spare batteries, our high-performance Li-ion battery system is up to 30% more efficient than lead-acid counterparts. Plus, it's virtually error-proof, thanks to its ultra-low-maintenance design.

- **Gas-emission free and space efficient operation**
with no need for air ventilation and/or closed charging room.
- **Exceptional high battery & charger efficiency**
due to state-of-the-art technology, delivers up to 30% more power efficiency than lead-acid batteries.
- **Maintenance free design**
Eliminates the need for daily checks and water re-fills by operator, and reduces the risk of operators damaging cells.
- **No spare batteries and charging room required**
saves space and costs in multi-shift application to maximise profitability.
- **Quick charge capabilities**
mean that just 15 minutes is all your battery needs to keep your truck going a few more hours.
- **Higher sustained voltage**
ensures more consistent lifting and driving performance, which is particularly noticeable towards the end of a shift.
- **Active protection componentry**
this continuously monitors the system, highlighting potential issues, including misuse.
- **High safety features include**
Short circuit protection, deep-discharge and overcharge protection, individual cell temperature and voltage monitoring.
- **Wide choice of battery and charger capacities**
The most suitable power supply can be matched to the exact requirements of a specific application.



Li-ion battery option is available in selected regions.
Continuing improvement may lead to changes in these specifications

There is more information on Li-ion on mitforklift.com

For more extensive information please visit our website mitforklift.com



mft2.eu/ion

VDI - PERFORMANCE & DIMENSIONS

CHARACTERISTICS				Mitsubishi Forklift Trucks	Mitsubishi Forklift Trucks	Mitsubishi Forklift Trucks	Mitsubishi Forklift Trucks	Mitsubishi Forklift Trucks
1.1	Manufacturer (abbreviation)			FB25N	FB25CN	FB30N	FB30CN	FB35N
1.2	Manufacturer's model designation			Electric	Electric	Electric	Electric	Electric
1.3	Power source: (battery, diesel, LP gas, petrol)			Seated	Seated	Seated	Seated	Seated
1.4	Operator type: pedestrian, (operator)-standing, -seated			2500	2500	3000	3000	3500
1.5	Load capacity	Q	kg	500	500	500	500	500
1.6	Load center distance	c	mm	476	476	504	504	504
1.8	Load distance, axle to fork face	x	mm	1730	1585	1730	1585	1730
1.9	Wheelbase	y	mm					
WEIGHT								
2.1	Truck weight, without load / including battery (simplex mast, lowest lift height)		kg	4700	4621	5152	5234	5591
2.2	Axle loading with maximum load, front / rear (simplex mast, lowest lift height)		kg	6336 / 864	6332 / 789	7313 / 839	7355 / 878	8186 / 904
2.3	Axle loading without load, front / rear (simplex mast, lowest lift height)		kg	2424 / 2275	2292 / 2329	2571 / 2581	2454 / 2780	2654 / 2937
WHEELS, DRIVE TRAIN								
3.1	Tyres: V=solid, L=pneumatic, SE=solid pneumatic - front / rear			SE	SE	SE	SE	SE
3.2	Tyre dimensions, front			23 x 9 - 10	23 x 9 - 10	23 x 10 - 12	23 x 10 - 12	23 x 10 - 12
3.3	Tyre dimensions, rear			18 x 7 - 8	18 x 7 - 8	18 x 7 - 8	18 x 7 - 8	18 x 7 - 8
3.5	Number of wheels, front / rear (x=driven)			2 x / 2	2 x / 2	2 x / 2	2 x / 2	2 x / 2
3.6	Truck width (center of tyres), front	b10	mm	985	985	950	950	950
3.7	Truck width (center of tyres), rear	b11	mm	970	970	970	970	970
DIMENSIONS								
4.1	Mast tilt, forwards / backwards	α/β	°	6 / 8	6 / 8	6 / 8	6 / 8	6 / 8
4.2	Height with mast lowered (see tables)	h1	mm	2145	2145	2165	2165	2291
4.3	Free lift (see tables)	h2	mm	100	100	100	100	100
4.4	Lift height (see tables)	h3	mm	3300	3300	3270	3270	3300
4.5	Overall height with mast raised	h4	mm	4355	4355	4325	4325	4345
4.7	Height to top of overhead guard	h6	mm	2240	2240	2240	2240	2240
4.8	Seat height	h7	mm	1130	1130	1130	1130	1130
4.12	Tow coupling height	h10	mm	395	395	395	395	395
4.19	Overall length	l1	mm	3600	3459	3628	3487	3628
4.20	Length to fork face (includes fork thickness)	l2	mm	2530	2389	2558	2417	2558
4.21	Overall width	b1/b2	mm	1190	1190	1190	1190	1190
4.22	Fork dimensions (thickness, width, length)	s / e / l	mm	40×100×1070	40×100×1070	45×125×1070	45×125×1070	45×125×1070
4.23	Fork carriage to DIN 15 173 A/B/no			2A	2A	3A	3A	3A
4.24	Fork carriage width	b3	mm	1000	1000	1000	1000	1000
4.31	Ground clearance under mast, with load	m1	mm	105	105	115	115	115
4.32	Ground clearance at center of wheelbase, with load (forks lowered)	m2	mm	122	122	122	122	122
4.33	Working aisle width with 1000 × 1200 mm pallets, crosswise	Ast	mm	3805	3660	3830	3690	3830
4.34a	Working aisle width with 800 × 1200 mm pallets, lengthwise	Ast	mm	3960	3815	3985	3840	3985
4.35	Turning circle radius	Wa	mm	2064	1920	2064	1920	2064
4.36	Minimum distance between centers of rotation	b13	mm	160	160	160	160	160
PERFORMANCE								
5.1	Travel speed, with / without load		km/h	20 / 20	20 / 20	20 / 20	20 / 20	18 / 18
5.2	Lifting speed, with / without load		m/s	0.5 / 0.65	0.5 / 0.65	0.45 / 0.6	0.45 / 0.6	0.45 / 0.6
5.3	Lowering speed, with / without load		m/s	0.55 / 0.5	0.55 / 0.5	0.5 / 0.45	0.5 / 0.45	0.5 / 0.45
5.5	Rated drawbar pull, with / without load		N	9300 / 9700	9300 / 9700	9100 / 9550	9100 / 9550	8950 / 9500
5.6	Maximum drawbar pull, with / without load (5 min short duty)		N	15800 / 16200	15800 / 16200	15550 / 16050	15550 / 16050	15400 / 16000
5.7	Gradeability, with / without load		%	15 / 25	15 / 25	13 / 22	13 / 22	12 / 20
5.8	Maximum gradeability, with / without load		%	23 / 38	23 / 38	20 / 34	20 / 33	18 / 31
5.9	Acceleration time (10 metres) with / without load		s	4.2 / 3.9	4.2 / 3.9	4.3 / 3.9	4.3 / 3.9	4.4 / 3.9
5.10	Service brakes (mechanical / hydraulic / electric / pneumatic)			Hydraulic	Hydraulic	Hydraulic	Hydraulic	Hydraulic
ELECTRIC MOTORS								
6.1	Drive motor capacity (60 min. short duty)		kW	2 × 8	2 × 8	2 × 8	2 × 8	2 × 8
6.2	Lift motor output at 15% duty factor		kW	20.8	20.8	25.5	25.5	25.5
6.3	Battery to DIN 43 531 / 35 / 36 A/B/C/no			43536A	43536A	43536A	43536A	43536A
6.4	Battery voltage/capacity at 5-hour discharge		V/Ah	80 / 700-775	80 / 560-620	80 / 700-775	80 / 560-620	80 / 700-775
6.5	Battery weight		kg	1863	1558	1863	1558	1863
MISCELLANEOUS								
8.1	Type of drive control			AC	AC	AC	AC	AC
10.1	Maximum operating pressure for attachments			185	185	185	185	205**
10.2	Oil flow for attachments		bar	30	30	30	30	30
10.7	Noise level, value at operator's ear (EN 12053)		l/min	65	65	66	66	66
10.8	Towing coupling design / DIN type, ref.		dB(A)	DIN 15170-H	DIN 15170-H	DIN 15170-H	DIN 15170-H	DIN 15170-H

EDIA EX

FB25-35(C)N Series

ELECTRIC COUNTERBALANCE

2.5 - 3.5 tonnes



FB25N

MAST PERFORMANCE AND CAPACITY

EDIA ex

FB25-35(C)N Series

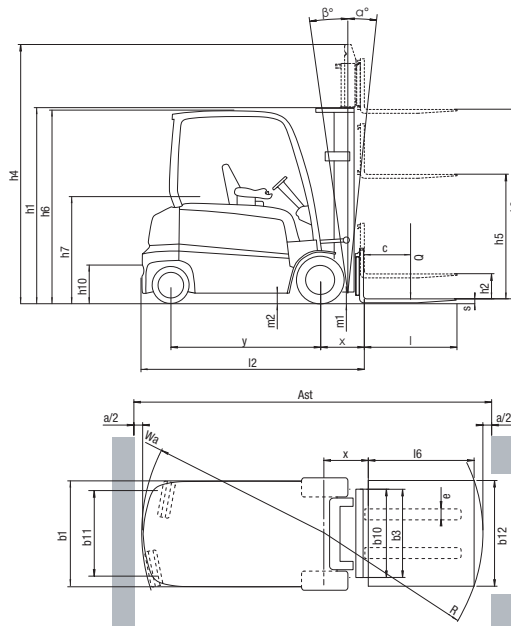
FB25N / FB25CN								FB25N	FB25CN	FB30N / FB30CN								FB30N	FB30CN	FB35N						
MAST TYPE	h3 mm	h1 mm	h4 mm	h2 / h5 mm	tilt angle fwd/rew	Q@c=500 mm kg	Q@c=500 mm kg	MAST TYPE	h3 mm	h1 mm	h4 mm	h2 / h5 mm	tilt angle fwd/rew	Q@c=500 mm kg	Q@c=500 mm kg	MAST TYPE	h3 mm	h1 mm	h4 mm	h2 / h5 mm	tilt angle fwd/rew	Q@c=500 mm kg				
SIMPLEX	3000	1995	4055	100	6 / 8	2500	2500	SIMPLEX	3030	2045	4085	100	6 / 8	3000	3000	SIMPLEX	3000	2170	4045	100	6 / 8	3500				
	3300	2145	4355	100	6 / 8	2500	2500		3270	2165	4325	100	6 / 8	3000	3000		3300	2290	4345	100	6 / 8	3500				
	3740	2410	4795	100	6 / 8	2500	2500		3700	2430	4755	100	6 / 8	3000	3000		3720	2500	4765	100	6 / 8	3500				
	4100	2590	5155	100	6 / 8	2500	2500		4000	2610	5055	100	6 / 8	3000	3000		4000	2755	5045	100	6 / 8	3500				
	4500	2800	5555	100	6 / 8	2500	2500		4500	2870	5555	100	6 / 8	3000	3000		4500	3000	5545	100	6 / 8	3500				
	5000	3050	6055	100	6 / 8	2500	2450		5000	3120	6055	100	6 / 8	3000	2900		5000	3250	6045	100	6 / 8	3500				
	5500	3300	6555	100	6 / 4	2450	2400		5500	3370	6555	100	6 / 4	2900	2800		5500	3500	6545	100	6 / 4	3400				
DUPLX	6000	3550	7055	100	6 / 4	2000	2000	6000	3635	7055	100	6 / 4	2650	2700	6000	3750	7045	100	6 / 4	2800						
	3000	1995	4055	940	6 / 8	2500	2500	3000	2035	4055	980	6 / 8	3000	3000	3010	2170	4055	1125	6 / 8	3500						
	3300	2145	4355	1090	6 / 8	2500	2500	3250	2165	4305	1110	6 / 8	3000	3000	3300	2290	4345	1245	6 / 8	3500						
	3700	2410	4755	1355	6 / 8	2500	2500	3700	2430	4755	1375	6 / 8	3000	3000	3720	2615	4765	1570	6 / 8	3500						
TRIPLEX	4020	2590	5075	1535	6 / 8	2500	2500	4010	2610	5065	1555	6 / 8	3000	3000	4000	2755	5045	1710	6 / 8	3500						
	3730	1805	4785	750	6 / 6	2500	2500	3690	1825	4745	770	6 / 6	3000	3000	3730	1930	4775	885	6 / 6	3500						
	4030	1905	5085	850	6 / 6	2500	2500	3990	1925	5045	870	6 / 6	3000	3000	4010	2050	5055	1005	6 / 6	3500						
	4300	1995	5355	940	6 / 6	2500	2500	4320	2045	5375	990	6 / 6	3000	3000	4390	2170	5435	1125	6 / 6	3500						
	4750	2145	5805	1090	6 / 6	2500	2500	4700	2165	5755	1110	6 / 6	3000	2950	4700	2290	5745	1245	6 / 6	3500						
	5060	2265	6115	1210	6 / 6	2500	2450	5060	2285	6115	1230	6 / 6	3000	2850	5030	2435	6075	1390	6 / 6	3450						
	5500	2410	6555	1355	6 / 6	2500	2350	5450	2430	6505	1375	6 / 6	2900	2800	5580	2615	6625	1570	6 / 6	3100						
	5990	2590	7045	1535	6 / 4	2400	2300	5970	2610	7025	1555	6 / 4	2750	2650	6000	2755	7045	1710	6 / 4	2900						
	6500	2850	7555	1795	6 / 4	1950	2100	6470	2870	7525	1815	6 / 4	2100	2000	6510	2930	7555	1885	6 / 4	2250						
7000	3050	8055	1995	6 / 4	1500	1600	7000	3070	8055	2015	6 / 4	1600	1450	7000	3125	8045	2080	6 / 4	1700							

- Ast = Wa + R + a
- Ast = Working aisle width with load
- Wa = Turning radius
- a = Safety clearance = 2 x 100 mm
- R = $\sqrt{(l6 + x)^2 + (b12 / 2 - b13)^2}$
- b12 = Pallet width (1200 mm)
- h1 = Height with mast lowered
- h2 = Standard free lift
- h3 = Lift height
- h4 = Height with mast raised
- h5 = Full free lift
- Q = Lifting capacity, rated load
- c = Load centre (distance)

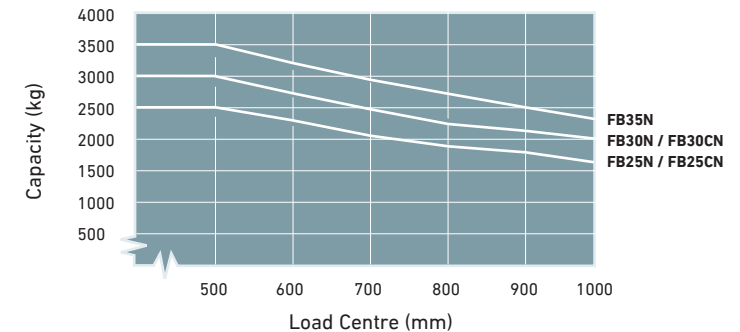
* h5 including load backrest (without load backrest increase with 305 mm duplex or 465 mm triplex)

BATTERY DIMENSIONS		FB25N	FB25CN	FB30N	FB30CN	FB35N
Battery voltage	V	80	80	80	80	80
Capacity at a 5-hour discharge	Ah	700-775	560-620	700-775	560-620	700-775
Battery weight, (+/-5%)	kg	1863	1558	1863	1558	1863
BATTERY BOX DIMENSIONS						
Length	mm	1028	1028	1028	1028	1028
Width	mm	855	711	855	711	855
Height	mm	784	784	784	784	784
BATTERY COMPARTMENT SIZE						
Length	mm	1056	1056	1056	1056	1056
Width	mm	865	720	865	720	865
Height*	mm	790	790	790	790	790

* 5mm tolerance



Capacities at various load centres
Simplex - h3 = 3300 mm



STANDARD EQUIPMENT & OPTIONS

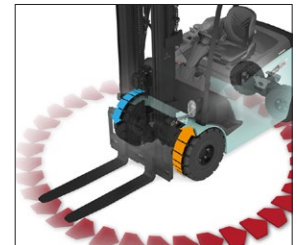
● = Standard
● = Option

	FB25N	FB25CN	FB30N	FB30CN	FB35N
GENERAL					
4-wheel chassis, 80 volts, front wheel dual drive	●	●	●	●	●
Forks with a length of 1,070 mm, equipped with load backrest	●	●	●	●	●
Key pre-set economy or high performance mode (ECO / PRO)	●	●	●	●	●
Wet disc brakes	●	●	●	●	●
2 x AC traction motors, 8 kW	●	●	●	●	●
AC pump motor 20,8 kW (2.5t) and 25,5 kW (3.0-3.5t)	●	●	●	●	●
3-valve hydraulic fingertip control mounted on an adjustable armrest	●	●	●	●	●
Variable hydraulic speed control functions	●	●	●	●	●
Battery compartment side door	●	●	●	●	●
Multifunctional interactive full colour display	●	●	●	●	●
Intelligent curve control	●	●	●	●	●
Tilttable steering column	●	●	●	●	●
TruckTool setup and diagnostics	●	●	●	●	●
Principal components with IP 54 rating	●	●	●	●	●
PDS (Seat Switch Timeout = all functions are disabled, the truck will go into the stop mode, automatically applied parking brake)	●	●	●	●	●
Full-suspension basic vinyl seat Grammer MSG20	●	●	●	●	●
EEC name plates -language markings	●	●	●	●	●
Operations and Maintenance Manual	●	●	●	●	●
DIN battery connectors on frame	●	●	●	●	●
Reverse drive horn button	●	●	●	●	●
Battery door detection sensor	●	●	●	●	●
Load backrest	●	●	●	●	●
FRAME					
Battery sideway exchange chassis (SWE)	●	●	●	●	●
Roller bed, chassis integrated (for battery SWE)	●	●	●	●	●
Battery tray (for roller guided battery SWE)	●	●	●	●	●
Battery sideway exchange tool	●	●	●	●	●
T-bar battery stand	●	●	●	●	●
LIGHTING					
LED work lights (2 at the front and 1 at the rear)	●	●	●	●	●
Automated reversing light	●	●	●	●	●
Auto light switch	●	●	●	●	●
Amber strobe	●	●	●	●	●
Amber strobe mounted low	●	●	●	●	●
"Blue point" rear light	●	●	●	●	●
"Blue point" rear light mounted low	●	●	●	●	●
ELECTRICAL SYSTEM					
Smart backup alarm	●	●	●	●	●
Current output	●	●	●	●	●
12V connector	●	●	●	●	●
Operator presence pedal	●	●	●	●	●
Dual pedal layout	●	●	●	●	●
Drive direction selection switch on armrest (Forward-Backward)	●	●	●	●	●
Drive direction lever in steering column (Forward-Neutral-Reverse)	●	●	●	●	●
Road light kit	●	●	●	●	●
PIN code access with start switch	●	●	●	●	●
Automated performance reduction based on lift height (standard for lift heights over 4000mm)	●	●	●	●	●
Automatic tilt centering via the F2 button with FC TILT/C	●	●	●	●	●
Tilt centering second function TILT/LEV2 (only available in combination with option TILT/C)	●	●	●	●	●
Load weight indicator, steps of 50kg	●	●	●	●	●

EDIA EX FB25-35(C)N Series

ELECTRIC COUNTERBALANCE

2.5 – 3.5 tonnes



Front wheel dual drive



Battery sideway exchange chassis



LED work lights (2 at the front and 1 at the rear)

STANDARD EQUIPMENT & OPTIONS

- = Standard
- = Option

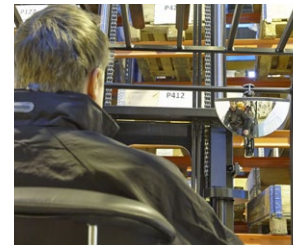
	FB25N	FB25CN	FB30N	FB30CN	FB35N
OPERATOR'S CABIN					
Grammer MSG20 seat	●	●	●	●	●
Grammer MSG20 Left armrest	●	●	●	●	●
Grammer MSG65	●	●	●	●	●
Grammer MSG65 Left armrest	●	●	●	●	●
Grammer MSG65 with heater	●	●	●	●	●
Grammer MSG65 Backrest extension	●	●	●	●	●
Grammer MSG65 with cloth upholstery	●	●	●	●	●
Grammer MSG65 with cloth upholstery and heater	●	●	●	●	●
Grammer MSG65 Backrest extension	●	●	●	●	●
Grammer MSG75	●	●	●	●	●
Grammer MSG75 with heater	●	●	●	●	●
Grammer MSG75 with cloth upholstery	●	●	●	●	●
Grammer MSG75 with cloth upholstery and heater	●	●	●	●	●
ACCESSORIES					
Rear view mirror	●	●	●	●	●
External rear view mirror	●	●	●	●	●
Dead angle mirror	●	●	●	●	●
Wide view mirror	●	●	●	●	●
A4 size paper holder	●	●	●	●	●
Accessory clamp	●	●	●	●	●
Fire extinguisher	●	●	●	●	●
ROOF					
Front screen, wiperand washer, high visibility overhead guard, slot cover FR+TP	●	●	●	●	●
Front and rear screens, wiper and washer, high visibility overhead guard, slot cover REAR	●	●	●	●	●
Plexiglass safety cover for OHG	●	●	●	●	●
CABIN					
Steel doors, available in combination with options REAR and FR+TP.	●	●	●	●	●
PVC doors, available in combination with options REAR and FR+TP.	●	●	●	●	●
Sun visor, available in combination with option FR+TP.	●	●	●	●	●
Interior package, available in combination with REAR and doors.	●	●	●	●	●
Heater, available in combination with REAR and steel doors, 2000 W.	●	●	●	●	●
Delux cabin	●	●	●	●	●
Container design. This option is available only with sideway battery exchange option SWE.	●	●	●	●	●
EXTERIOR					
Special colour (RAL) for the frame and counterweight	●	●	●	●	●
FORKS & CARRIAGE					
Various fork lengths (920 - 1970mm), widths (100/120mm) and thicknesses (40/45mm), fork deletion	●	●	●	●	●
Side shifter W1000mm	●	●	●	●	●
Integrated side shifter W1000mm	●	●	●	●	●
Fork positioner+ integrated side shifter	●	●	●	●	●
Load backrest	●	●	●	●	●
BATTERY					
Li-ion battery*	●	●	●	●	●
Classic 620 (AH)	●	●	●	●	●
Classic 775 (AH)	●	●	●	●	●
Battery charger Classic HP 80 / 80 (3 PHASE/ 8H)	●	●	●	●	●
Battery charger Classic HP 80 / 100 (3 PHASE / 8 H)	●	●	●	●	●
Battery water filling plug Classic (80V / 40 cells)	●	●	●	●	●

* Li-ion battery option is available in selected regions.

EDIA EX FB25-35(C)N Series

ELECTRIC COUNTERBALANCE

2.5 – 3.5 tonnes



Rear view mirror



Delux cabin



Heater

STANDARD EQUIPMENT & OPTIONS

● = Standard
● = Option

	FB25N	FB25CN	FB30N	FB30CN	FB35N
HYDRAULIC SYSTEM					
3/4/5-way valve armrest-mounted fingertip control	●	●	●	●	●
3/4-way valve manual control	●	●	●	●	●
Double action FC 3 v, for clamp usage	●	●	●	●	●
Double action FC 4 v, for clamp usage	●	●	●	●	●
Double action MC 3 v, for clamp usage	●	●	●	●	●
Double action MC 4 v, for clamp usage	●	●	●	●	●
Hydraulic accumulator	●	●	●	●	●
Adjustable hydraulic pressure (for 3rd and 4th valve)	●	●	●	●	●
Food grade hydraulic oil	●	●	●	●	●
Biodegradable hydraulic oil	●	●	●	●	●
Cold area hydraulic oil VG15	●	●	●	●	●
Hot area hydraulic oil VG46	●	●	●	●	●
3-way piping	●	●	●	●	●
4-way piping	●	●	●	●	●
5-way mast piping CSM	●	●	●	●	●
TYRES					
Solid Elastic Tyres (SE)	●	●	●	●	●
Pneumatic Tyres	●	●	-	-	-
Non-marking Solid Tyres	●	●	●	●	●
Cushion tyres	●	●	●	●	●
Non marking cushion tyres	●	●	●	●	●
Wide stance drive wheels	●	●	●	●	●

EDIA EX FB25-35(C)N Series

ELECTRIC COUNTERBALANCE

2.5 – 3.5 tonnes



Grammer seats



Sun visor



Non marking tyres

WHEN RELIABILITY IS EVERYTHING...



EDiA
THE ELECTRIC DIAMOND

The family name EDiA appears proudly on our award-winning range of electric forklift trucks.

The reputation that Mitsubishi Forklift Trucks enjoys for endurance and reliability has likened them to the quality and enduring value of a diamond.

Like any product bearing the "MITSUBISHI" name our materials handling equipment benefits from the tremendous heritage, huge resources and cutting-edge technology of one of the world's largest corporations – Mitsubishi Heavy Industries Group.

Engineering spacecraft, jet planes, power plants and more, MHI specialises in those technologies where performance, dependability and superiority decide your success or failure...

So when we promise you quality, reliability and value for money, you know it's a guarantee we have the power to deliver.

That's why every model in our award-winning and comprehensive range of lift trucks and warehouse equipment is built to a high specification – to ensure it keeps working for you. Day after day. Year after year. Whatever the job. Whatever the conditions.

YOU'LL NEVER WORK ALONE

As your local authorised dealer, we are here to keep your trucks working – through our extensive experience, our technical excellence and our commitment to customer care.

We are your local experts, backed by efficient channels to the entire organisation of Mitsubishi Forklift Trucks.

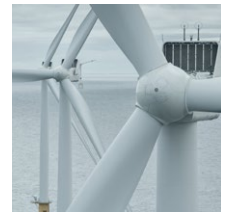
No matter where you are, we are close by – with the capability to meet your needs.

Discover how Mitsubishi Forklift Trucks give you more from your local authorised dealer or when you visit our website www.mitforklift.com

Performance specifications may vary depending on standard manufacturing tolerances, vehicle condition, types of tyres, floor or surface conditions, applications or operating environment. Trucks may be shown with non-standard options. Specific performance requirements and locally available configurations should be discussed with your distributor of Mitsubishi forklift trucks. We follow a policy of continual product improvement. For this reason, some materials, options and specifications could change without notice.

info@mitforklift.com

CESM2020 (06/20) © 2020 MLE



Mitsubishi Logisnext Europe B.V.
Hefbrugweg 77, 1332 AM Almere
The Netherlands
Tel: +31 (0)36 5494 411



mft2.eu/fb



mft2.eu/apps



mft2.eu/youtube



t2.eu/facebook

